
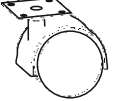


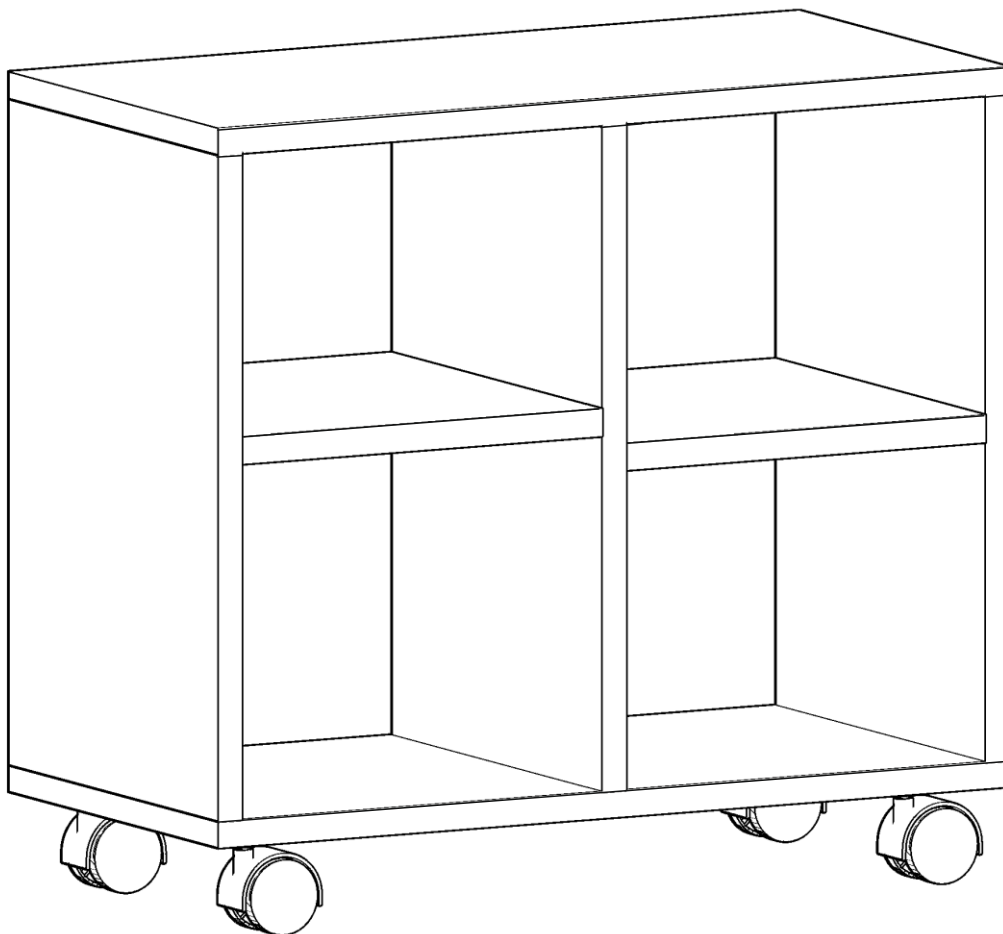


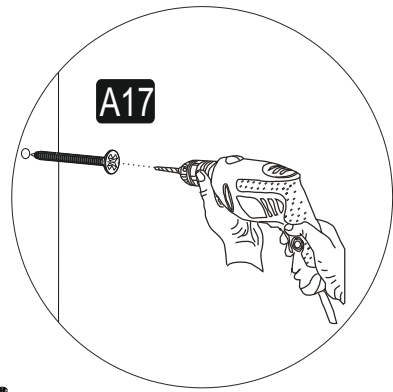
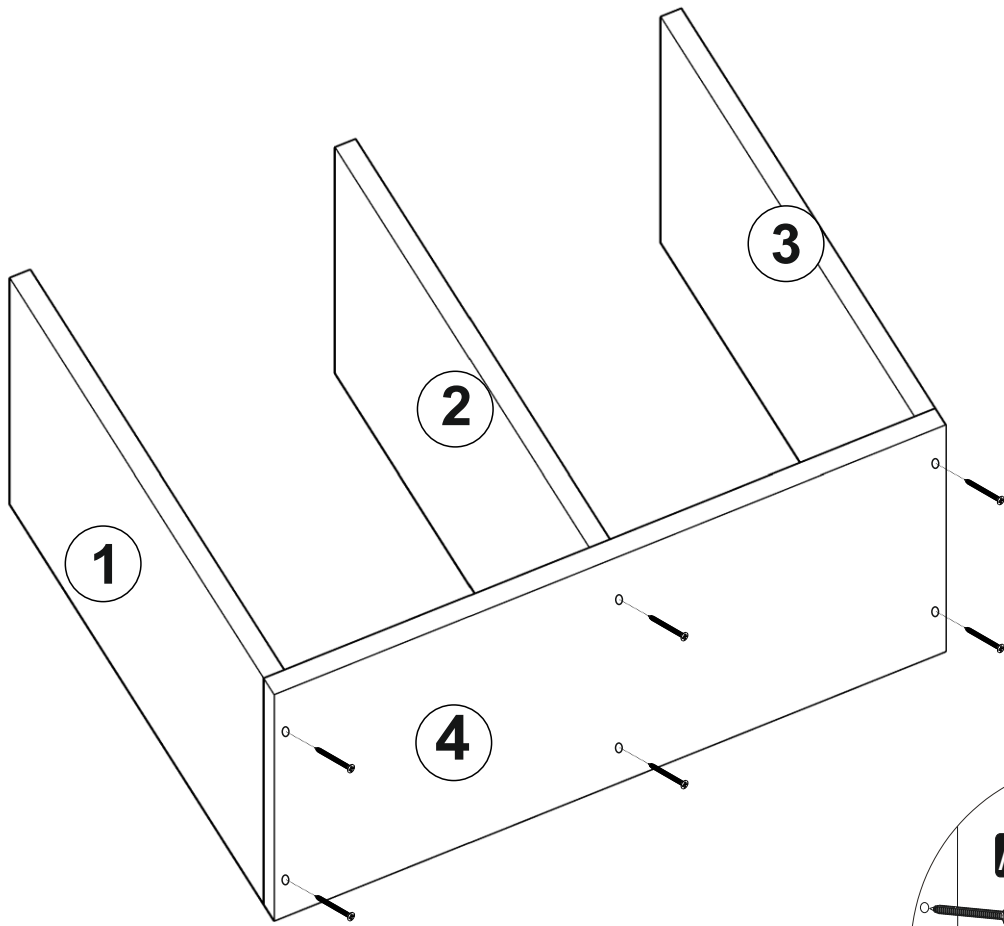
## ACCESSORY LIST

<b>A17</b>  4x50 20x	<b>A57</b>  TEKER AYAK 4x	<b>A18</b>  3,5x18 16x	<b>A10</b>  14mm 20x
----------------------------------------------------------------------------------------------------------------	---------------------------------------------------------------------------------------------------------------------	------------------------------------------------------------------------------------------------------------------	------------------------------------------------------------------------------------------------------------------

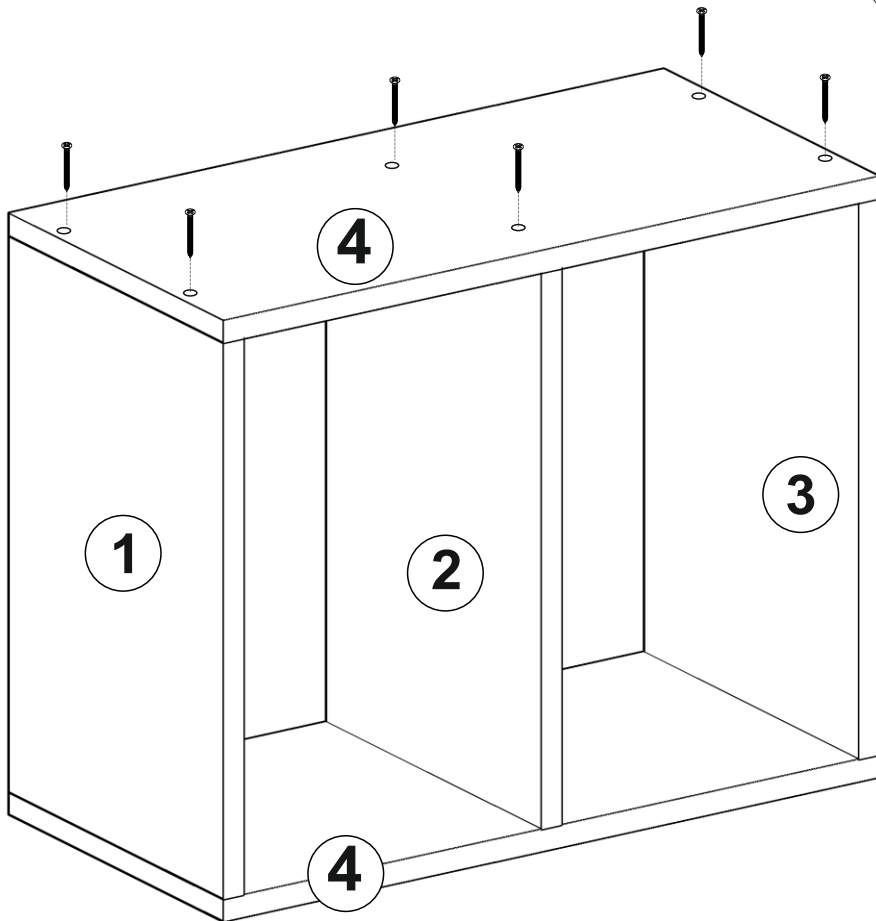
## GENERAL VIEW



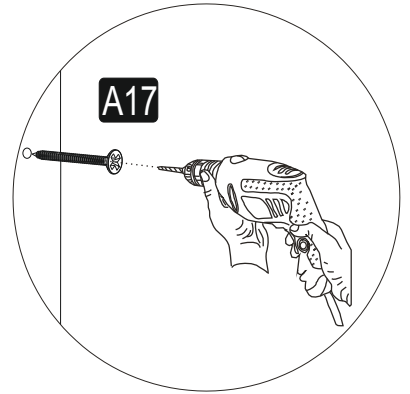
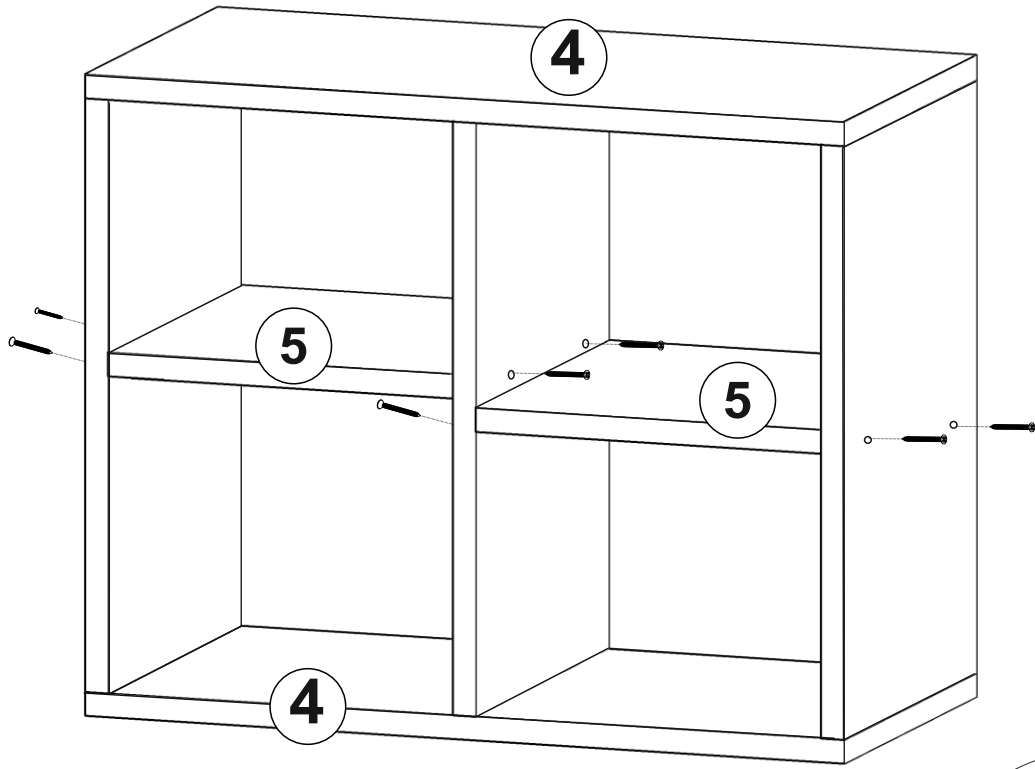
1



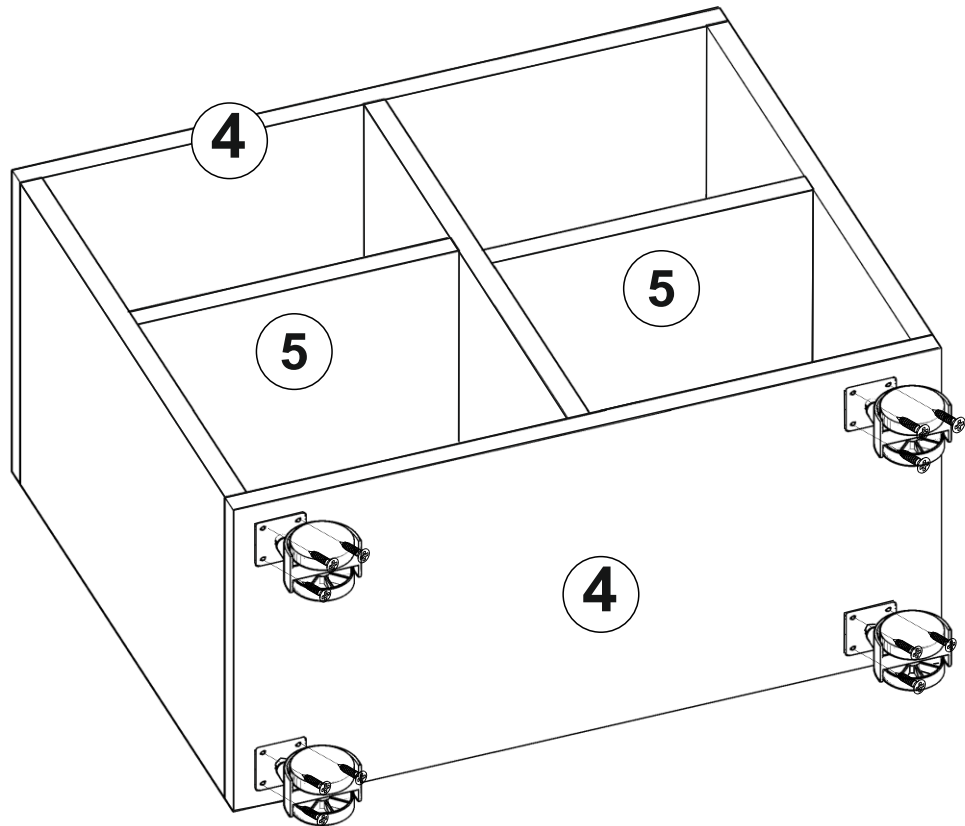
2



3



4



A18